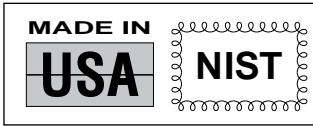




**\$895**  
Model Shown



Interchangeable with  
Model TH-TS1

**SPEC SHEET**  
TQ401

# REACTION TORQUE CELL

## Surface Key Mount



### TQ401 Series Reaction Torque

0-30 to 0-250 ft-lb  
0-40 to 0-340 N-m

1 N-m = 0.7375 ft-lb  
1 ft-lb = 1.356 N-m  
1 N-m = 8.85 in-lb  
1 ft-lb = 12 in-lb

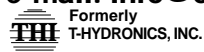
For Sales and Service  
In U.S.A. and Canada

**1-800-872-3963**  
**1-800-USA-DYNE**

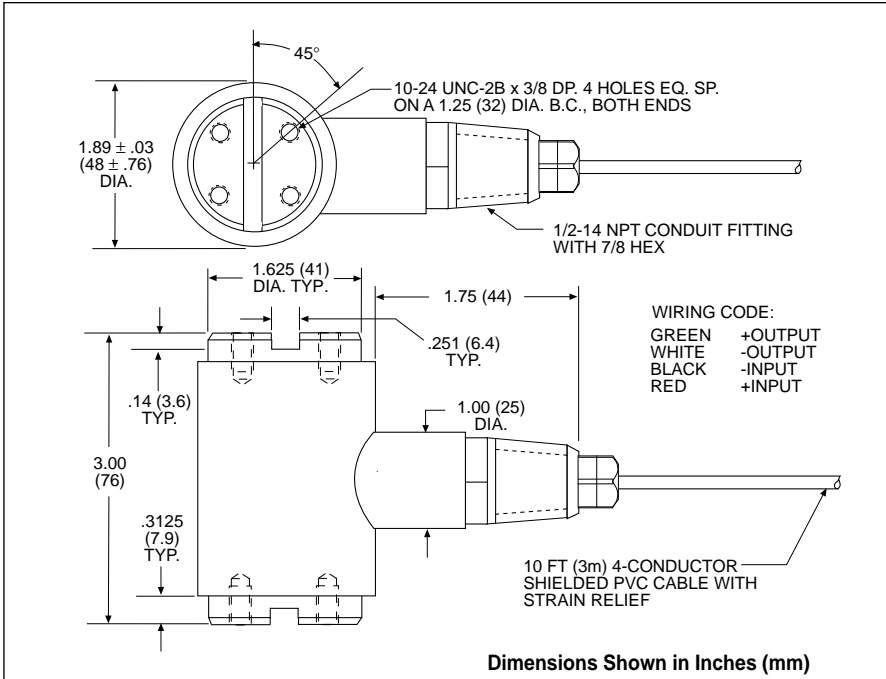
International Customers Dial  
**(614) 965-9340**  
24-Hour FAX (614) 965-9438

**OMEGADYNE<sup>SM</sup> FAX**  
OMEGADYNE's 24-Hour  
On-Line Publishing Service  
**1-800-344-3963**  
**1-800-DIG-DYNE**  
Document # 3723

**OMEGADYNE, Inc.**  
149 Stelzer Court, Sunbury, OH 43074  
<http://www.omegadyne.com>  
e-mail: [info@omegadyne.com](mailto:info@omegadyne.com)



© COPYRIGHT 1996 OMEGADYNE, INC. ALL RIGHTS RESERVED.



- ✓ All Stainless Steel Case for Long Term Reliability in Industrial Environments
- ✓ High Accuracy
- ✓ Shielded Cable for Precise Low Noise Measurements
- ✓ Heavy Duty Mounting for Positive, Non-Slip Connection

#### SPECIFICATIONS:

Output: 2 mV/V  
Excitation: 10 V ac/dc, 15 V max  
Input Resistance: 360 ohms min.  
Output Resistance: 350 ohms ±5  
Accuracy Class: 0.2%

Linearity: ±0.2% FSO  
Hysteresis: ±0.1% FSO  
Repeatability: ±0.05% FSO  
Zero Balance: ±2% FSO  
Operating Temp Range: -54 to +107°C (-65 to +225°F)  
Compensated Temp. Range: +16 to +71°C (+60 to +160°F)  
Thermal Effects:  
Zero: 0.005% FSO/°F  
Span: 0.005% Rdg/°F  
Safe Overload: 150% of Capacity  
Ultimate Overload: 300% of Capacity  
Construction: Stainless Steel  
Electrical: 10 ft (3m) 4-conductor shielded PVC cable with strain relief

► Most Popular Models Highlighted ◀

Prices Shown in U.S. Dollars

To Order: (Specify Model Number)			
Range (ft-lb)	Model Number	Price	Compatible Meters
0-30	TQ401-30	\$895	INFS, INFCS
0-100	TQ401-100	895	INFS, INFCS
0-250	TQ401-250	895	INFS, INFCS

Interchangeable with Model TH-TS1

Metric Ranges Available - Consult Engineering

Ordering Examples: 1.) TQ401-30 is a 30 in-lb range reaction torque sensor, \$895.  
2.) TQ401-250 is a 250 in-lb range reaction torque sensor, \$895.

**Look for OMEGADYNE Products  
on the World Wide Web!**

<http://www.omegadyne.com>  
e-mail: [info@omegadyne.com](mailto:info@omegadyne.com)

Printed On Recycled Paper

